



FJV-4 Series High Pressure T-Type Filter Assemblies

Features

- High collapse 4500 psid (310 bard) filter element using SWIFFELT™ 316 stainless steel medium
- Flows to 45 gpm (170 lpm)
- Port sizes: 3/4" NPT, 1" NPT
(Other line sizes available, consult factory)

Notes and Specifications

Maximum working pressure:

8000 psi (551 bar)

Proof pressure:

9600 psi (661 bar)

Burst pressure:

Consult factory

Temperature rating:

-100°F (-73°C) to 500°F (260°C)

Materials of Construction:

Head and Body: 304 Stainless Steel standard (316, 17-4PH, Hastelloy® and others available)

Seal material: Fluorocarbon (Viton®) (Teflon® and Kalrez® and other compounds also available)

Filter element

collapse pressure: 4500 psid (310 bard)

Element construction: SWIFTMESH™ all 316 stainless steel (no resin binders) medium, 304 stainless steel end caps



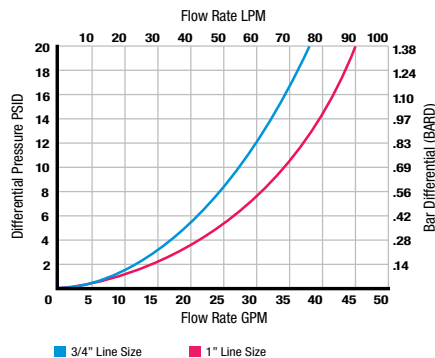
Pressure Drop Information

Housing Pressure Drop

Fluid at 15cSt(77.5 SUS), 0.8572 S.G.

Housing pressure drop is directly proportional to specific gravity.

FJV-4 Series Housing

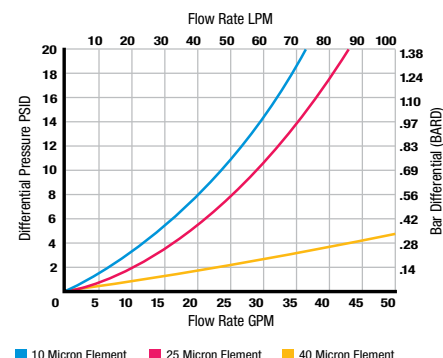


Element Pressure Drop

Fluid at 15cSt(77.5 SUS), 0.8572 S.G.

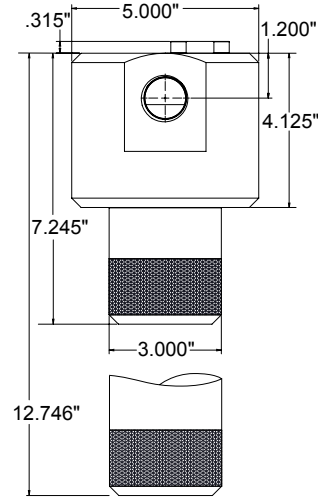
Correct for other fluids by multiplying new viscosity in cSt/5 (SUS/77.5) x new S.G./0.8572.

FJE-4 Series Element

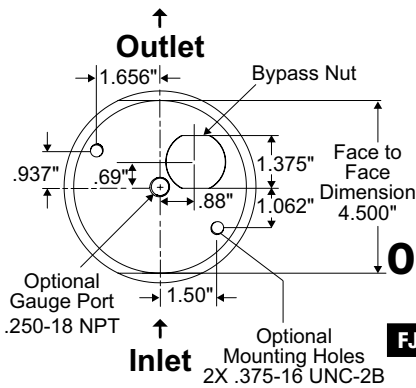


Dimensional Drawings

Front View



Top View



Ordering Information for Standard High Pressure T-Type Filter Assemblies

FJV							
Series	Bypass	Port Size*	Gauge Port	Bowl Size	Seal	Options	Material
4			N= NONE VG= VISUAL EG= ELECTRICAL		V= VITON® T= TEFLON® K= KALREZ®		OMIT= 304SS
X= NONE B= 500 PSID				S= STANDARD E= EXTENDED		OMIT= NO OPTIONS MH= MOUNTING HOLES	
		A03 = 3/4" NPT A04 = 1" NPT B02 = 3/4" SAE (J1926-1 STR THREAD) B03 = 1" SAE (J1926-1 STR THREAD) C01 = 1" CODE 61 (FLANGE CONNECTION) C02 = 1" CODE 62 (FLANGE CONNECTION)					

Example:

FJV-4-X-A03-N-E-V

This would be the part number for a standard Series 4 T-type Filter Assembly with a 304 stainless steel housing with no bypass, a 3/4" NPT port, no gauge port, extended bowl and Viton® seal.

* Other port sizes and material available, consult factory.
Viton, Teflon and Kalrez are registered trademarks of E.I. du Pont de Nemours and Company or its affiliates.
Hastelloy is a registered trademark of Haynes International, Inc.

Ordering Information for High Pressure Filter Elements

FJE			
Series	Micron	Length	
4			
	3 5 10 20 40 60	OMIT= STANDARD LENGTH E= EXTENDED LENGTH	

Note: All extended length bowls/sumps require an extended length filter element.

Example:

FJE-4-10E

This would be the part number for a Metal Felt Filter Element made with 316L stainless steel filament with 10 micron media to fit a Series 4 T-type Housing with an extended length bowl.



Made in USA

www.swift-jbinternational.com

www.swiftfilters.com

4560 Kendrick Plaza Dr., Suite 140
Houston, TX 77032

Tel 281.227.0298

Fax 281.227.0299

Email info@swift-jbinternational.com

24040 Forbes Road, Oakwood Village, OH 44146

Tel 440.735.0995 Fax 440.735.0996

Email info@swiftfilters.com

Toll Free 1.877.88SWIFT
(1.877.887.9438)